



## CoRE labs Radiographic Systems

# “HALO” OVERHEAD TUBE SUPPORT



The “HALO” Overhead Tube Support is a heavy duty, hospital grade, manually operated, fully counterbalanced ceiling mounted unit.

The “HALO” tube support provides flexibility to facilitate a wide range of x-ray procedures.

Fully counterbalanced, this heavy-duty system can be easily positioned at any selected point within its total range of travel.

The x-ray tube rotates a full 360-degrees about its vertical and horizontal axis with mechanical indexing at each 90-degree position.

The ergonomic operator control panel provides convenient selections to allow the tube to be moved in the longitudinal, transversal, vertical and rotational directions, and allows for table/wall bucky centering.

A single handle control allows for fast and out of the way positioning.

The LCD Display indicates SID to tabletop/wall bucky in inches or centimeters (calibrated at installation) and angulation of x-ray tube in degrees.

The “Intelligent Software” allows for fast and easy access to calibration and configuration.

Platform mount is standard, and a 10” orthopedic column extension is optional.

## Specification

(Model No: 02-000)

Longitudinal Rail Length: Standard - 14' (4.27m)

Optional - 12', 16', 18'

Transverse Bridge Length: Standard - 130" (3.03m)

Vertical Travel: Standard - 60" (1524mm)

### Total weight of standard unit:

**400 lbs. (181 Kg)**

#### Component Weights:

Transverse Bridge - 109 lbs. (49.0 Kg)

Telescope Carriage - 214 lbs. (96.3 Kg)

Long Rails (2) 14'-70 lbs. (31.6 Kg)

12'-60.2 lbs. (27.1 Kg) 16'-80.3 lbs. (36.1 Kg)

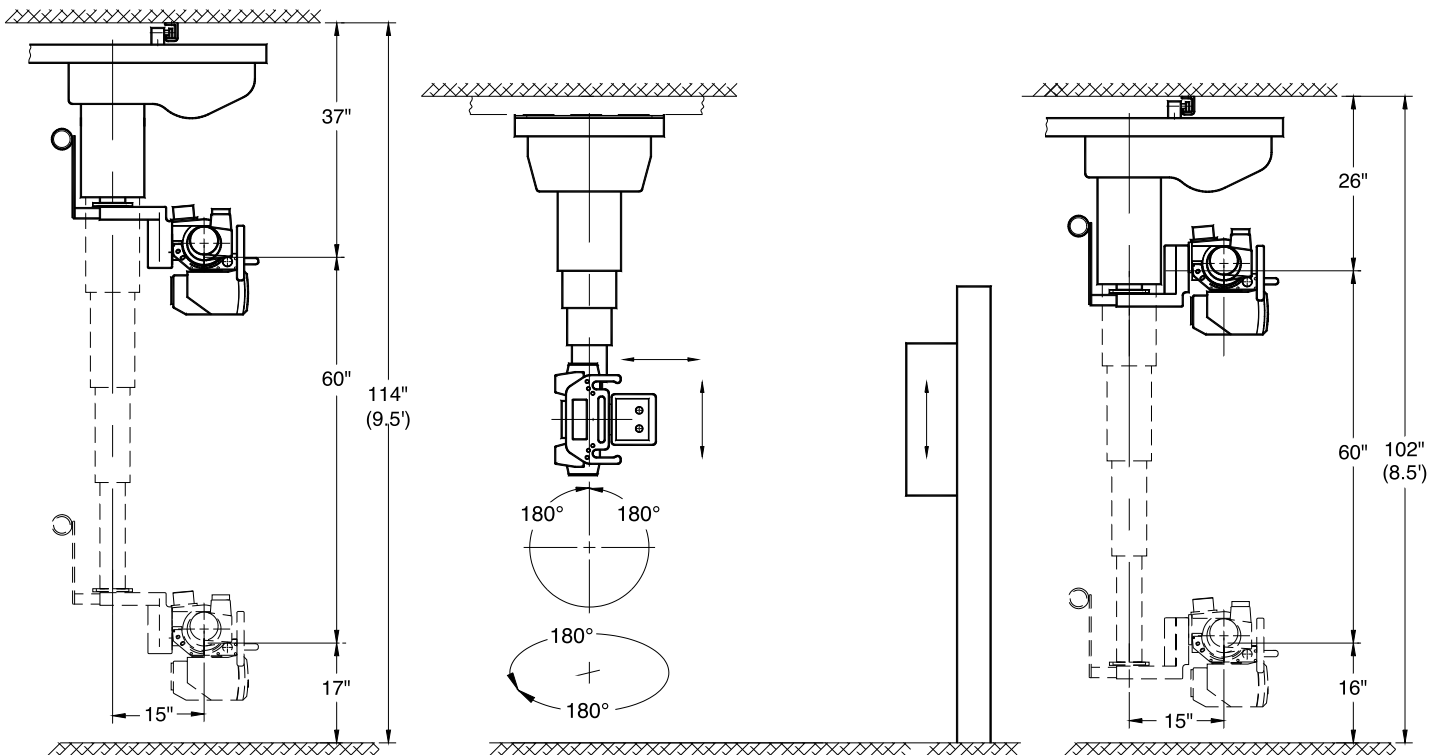
18'-90.4 lbs. (40.7 Kg)

Electrical Requirements: 115/220 VAC, 50/60 Hz,

5Amps



### “HALO” Overhead Tube Support Configuration



CONTROL-X MEDICAL, INC.  
MEDICAL AND X-RAY PRODUCTS  
*Imaging for the Future...*

1-800-777-XRAY  
sales@cxmed.com