

UT

2000

Motor driven tilting radiographic table
with floating table top

UT 2000



Optimal table tilting

The smooth motor drive tilts the table to any position from 89 degrees vertical to 15 degrees Trendelenburg, with an automatic stop in the horizontal position from either direction.

Effortless patient positioning by effortless floating table top

The table top is released by operating the front foot switch or the optional foot switch. When the table is in the horizontal position the table top can be travelled longitudinally and transversely.

While inclined the top travels transversely only, however with the combination of the full Bucky excursion the patient coverage is entire. Table top movements are braked electromagnetically. In addition the longitudinal movement is electro-mechanically engaged while the table is inclined.

Optimal conditions for excellent radiographs

The table top is specially constructed for low radiation absorption and the shortest possible object to film distance (typically 60 mm to 70 mm depending on which Bucky device is installed). Table top size is 2200 x 810 mm. The table top movement is 1060 mm longitudinally and 240 mm transversely.

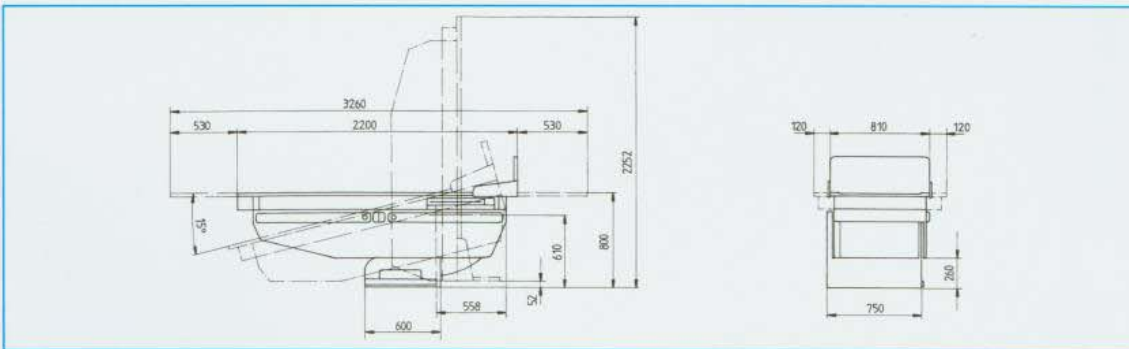
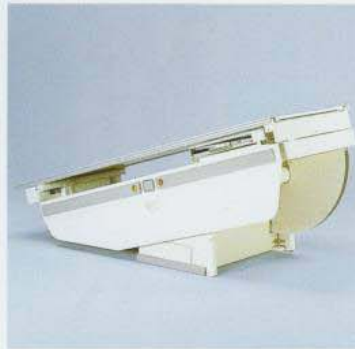
Clearly arranged control elements

The table top is controlled by operating the front foot switch in the base or an additional tethered foot switch can be positioned for operator convenience.

The tilt function switches are centrally located on the front of the table body.

Versatility

The table's Bucky carriage will accept a variety of Bucky's from various manufacturers, and can travel over the full length of the table, always being counterbalanced.



Results

The UT 2000 is the ideal radiographic table for the Emergency room in any hospital, very often it is the only feasible way to radiograph a traumatized patient.

Accessories

- Patient hand grips
- Compression device
- Lateral cassette holder
- Positioning device
- Foot switch for floating table top
- Adapter part for head clamps and hip clamps

mm	inch	mm	inch
3260	128,346	600	23,622
2252	88,661	558	21,969
2200	86,614	530	20,866
810	31,890	260	10,236
800	31,496	120	4,724
750	29,528	52	2,047
610	24,016		