

Veterinary X-Ray Systems for the 21st Century

The **ZooMax** veterinary radiographic systems are an excellent choice for veterinary hospitals and clinics. A variety of product options will definitely cover the diverse demands of veterinary x-ray suites. The integrated systems with fixed or four-way float top tables offer the most cost effective solutions for an easy, effortless and hygienic procedure both for practitioners and patients in a clinical environment.

An optional ceiling suspended tube support and with an integrated x-ray control and elevating table are some of the unique new answers as to how veterinary x-ray rooms can be created to meet the needs of the patient and practitioners.

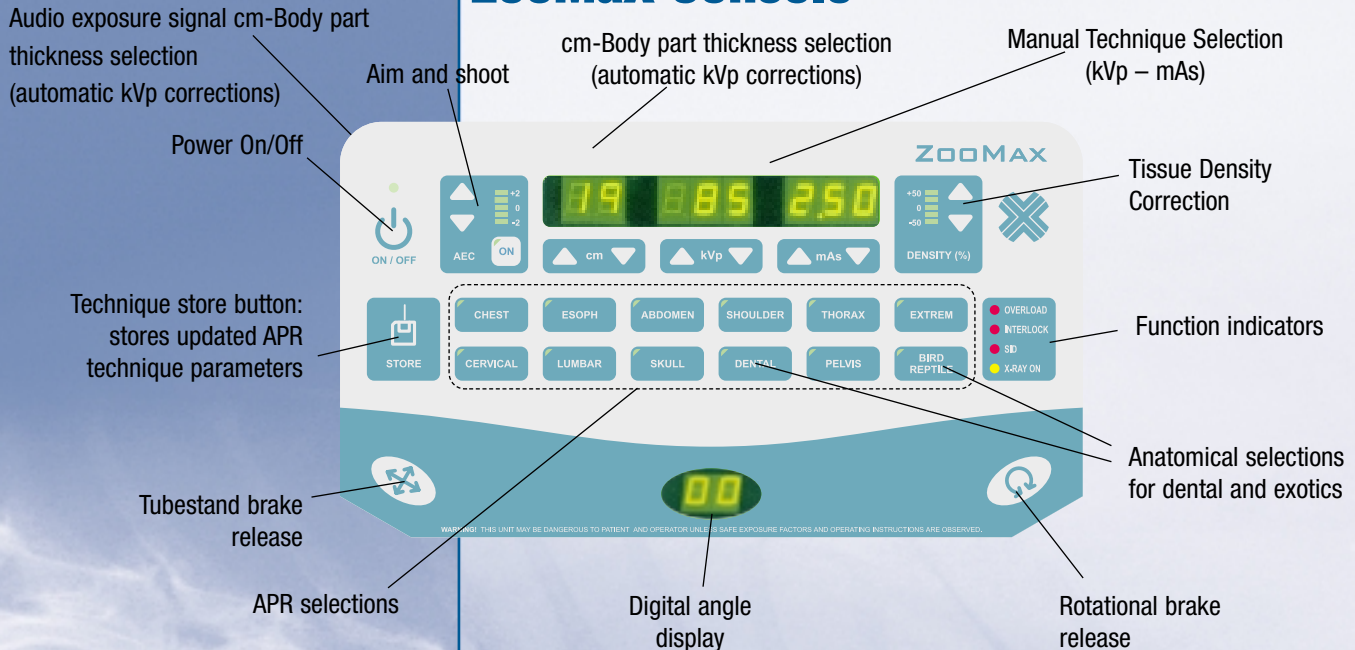
ZooMax^{WHITE} Integrated 4-Way System



The ZooMaX HF Generators

High Frequency Anatomical Programmed Generator Console

ZooMaX Console



Integrated ZooMaX HF generator control on the handlebar
 Veterinary Anatomical Programs are standard with the White system
 The generator can be installed in the table or can be separately mounted on the wall.

Power	Max. mA	KV range	Power line specs*
20 kW	300 mA @ 65 kV 200 mA @ 100 kV	40 – 125 kV	Single-phase 208-240 V, 3-phase 208-240 V, or 3-phase 380-400 V
30 kW	400 mA @ 65 kV 300 mA @ 100 kV		

*Line and electrical requirements shall be specified when the generator is ordered.

Features

- The latest in state of the art technological design
- Easy to use with basic knowledge of radiology
- Anatomical or manual two-factor (kVp-mAs) mode operation
- 20 or 30 kW output
- Low power requirements – no additional transformer needed
- Patient tissue density correction
- Auto-calibrating program – no special test equipment required
- Self diagnostics – easy to service with low maintenance
- Future field upgrades include: power increase (AEC) and digital filmless equipment
- Conveniently upgrades existing systems
- All controls are located in the "work area" – convenience in positioning the patient, adjusting parameters and taking exposures at one location
- Wall mounted, self-contained compact designed generator – no floor obstructions – easy access to full work area



The new **ZooMaX Control**
 with the CX-MC 150 collimator

The New Standard in Generator Design

ZooMax^{WHITE} Radiographic Systems

The ZooMax^{WHITE} System incorporates a four way float top table and an integrated tube stand, which offers the flexibility of vertical and longitudinal travel. This allows for very easy and effortless patient positioning. Even large animals can be conveniently positioned for optimal exposures.

A table-length foot operating brake release switch provides free table top motion allowing for "Hands Free" operation and placement of the patient before and during the examination.

Tabletop side rails provide durable anchors for restraining, which allows for the proper placement and subduing of the patient during the procedure.

Optional table extension provides an additional 12" working area when larger animals are examined.

The x-ray tube freely rotates $\pm 90^\circ$ around the horizontal axis, allowing exposures from various angles.



The ZooMax^{WHITE} integrated tubestand and table radiographic system with table extension

ZooMax^{WHITE} Integrated System Specifications:

VSTX 60 Radiographic table, 4-Way top

Table top:	60" x 28" (1524 x 711 mm), with side rails 60" x 30" (1524 x 762 mm)
Height:	29-1/2" (750 mm)
Footprint (base):	40" x 22" (1000 x 550 mm)
Table top travel:	cross-table +/- 4" (102 mm), longitudinal +/- 14" (350 mm)

VTS 02 Tube Stand

Longitudinal travel:	39-1/2" (1000 mm)
Vertical travel:	28-1/2" (720 mm) (optional 60", 152 cm)
Tube rotation:	+/- 90°

The integrated ZooMax White system is 41" (1040 mm) deep when installed as close as possible to the back wall (table top in center position)

The heavy-duty grid cabinet, tray and 10:1, 103 line grid (alternate grids are available)

provides excellent exposures.

The Manual Collimator with light beam and optional laser guided positioning system helps to place the patient quickly in the most accurate position for the x-ray exposure.

The powerful rotating anode x-ray tube with dual focal spots and over-heat interlock provides for many years trouble free operation. (Alternate x-ray tubes are available.)

The ZooMax Integrated system is digital compatible and field upgradeable.

mm	inch
2225	87.6
1910	75.2
1525	60.0
1400	55.1
1000	39.4
860	33.9
745	29.3
730	28.7
720	28.2
620	24.4
560	22.0
550	21.7
350	13.8
250	9.84

OTHER VETERINARY SYSTEMS IN CONTROL-X MEDICAL'S EQUIPMENT LINE:

• ZooMax^{RED} System

Elevating four way float top table providing 12" of vertical table movement (21.5–33.5") for the highest flexibility, simplest patient positioning available and minimal heavy lifting.

Combine with the ceiling mounted tube support, which allows full table access from all sides for maximum patient accessibility without floor obstruction. The tube support travels the length of the table for maximum coverage and range of exposure. This system is ideal for trauma situations when multiple tableside use is required.

Or combine with the floor mounted tube stand for space saving utilization of the radiographic room while still providing great flexibility of use for patient and practitioners comfort.

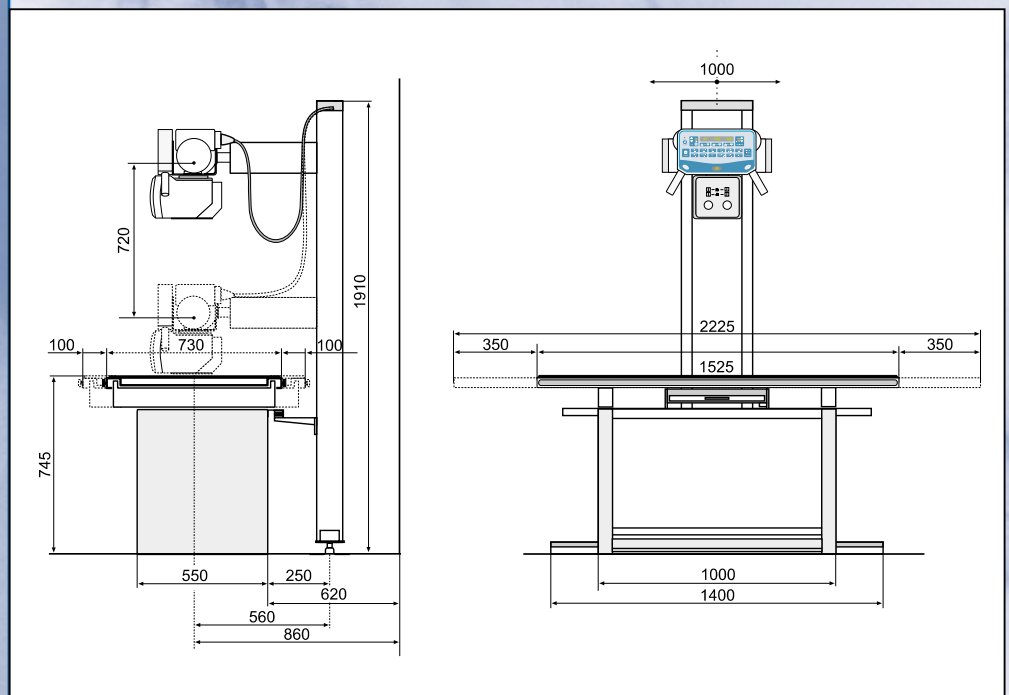
• ZooMax^{BLUE} Integrated System

Integrated Veterinary tube stand with a fixed tabletop radiographic table. This compact system allows for use in the smallest of settings without sacrificing the quality of design or functionality. Ideal for the smaller practice or where space savings is needed.

• ZooMax^{SURGICAL} allows x-ray applications while in the surgical suite.

TYPICAL SET-UP OF THE SYSTEM

(Dimensional drawing)



Specifications subject to change without notice

Your Dealer:

Control-X Veterinary Div.

2289 Westbrooke Drive, Columbus, OH 43228

Phone: 614-777-9729 Fax: 614-777-0395

sales@cxmed.com Visit us on the Internet: www.cxmed.com