

# Z-MOTION Digital Stand

The **Z-MOTION** Universal Digital Stand provides a new approach for practitioners to employ digital flat panel technology.

The stand is fully motorized and counterbalanced, though for quick changes the stand can be easily positioned in seconds manually when releasing the brakes.



**Digital Imaging for the Future**

# Z-MOTION Digital Stand

A TO Z, from A<sub>pex</sub> TO Z<sub>Motion</sub>

With Apex and Z-Motion you get a full package, from A to Z.

All of the benefits of DR are now available with **APEX** - an affordable digital imaging solution with flat-panel DR technology.

Main additional features vs. similar products:

Fully counter-balanced, motorized and manual adjustment of the stand

Covers full radiographic SID needs: 1000 – 2000 mm (39,5" – 79")

Low room ceiling heights required: 240 cm (7'-10")

100 cm (39,5") SID for lateral table shots

## VERTICAL EXPOSURE POSITION



**Z-Motion's** versatility allows patients to sit, stand or lay down on a mobile table.

The unique system design preserves the alignment between the collimator and digital receptor in any position.

With an SID range of 100 to 200cm (39.5" to 79"), Z-Motion offers a variety of examination possibilities. Once the desired position is achieved, electromagnetic brakes firmly lock the arm in place.

Vertical exposures over a radiographic table can easily be achieved. The Z-Motion digital stand requires less than 240 cm (7'-10") ceiling height for table exposures with a table top height of 75 cm (30").



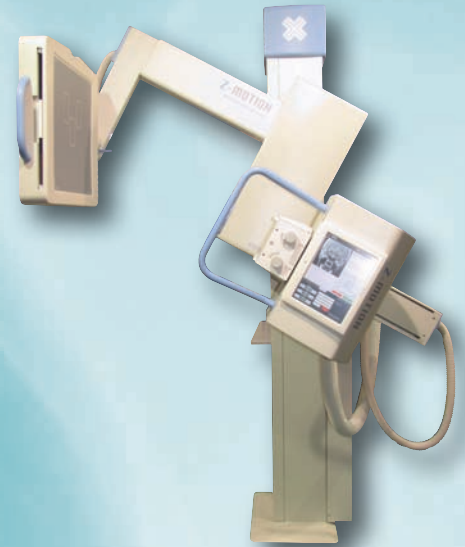
# Z-MOTION Digital Stand

A compact solution for all general radiographic projectors

In a matter of seconds, Z-Motion can be set to perform oblique exposures. Oblique exposures are possible on standing and sitting patients, or when using a patient trolley as well.

Motorized, automatic patient positioning is seamlessly integrated into the user-friendly control software. The number of programs and requested positions are to be determined during installation. In addition, a remote control is provided for specialised positioning.

*OBLIQUE EXPOSURE POSITION*



*CHEST EXPOSURE POSITION*



Z-Motion is easily adjustable for chest, skull, extremities and similar exposures. Adjusting SID and focus heights is simple with user-friendly controls.

SID is adjustable between 100 cm (39,5") and 200 cm (79")

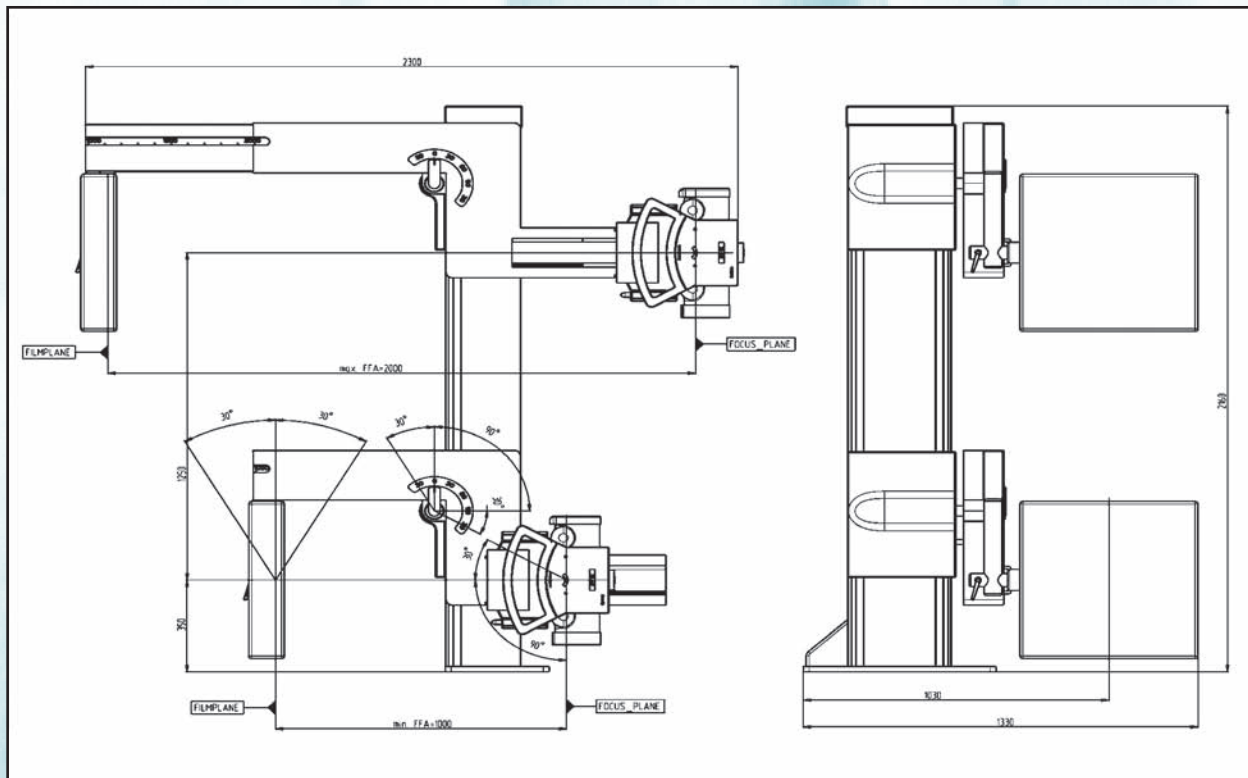
*LATERAL VIEW*



Lateral exposures can be performed with a portable radiographic table or gurney placed between the x-ray tube and receptor. Minimal SID for lateral exposures using a 65 cm (25") wide trolley is 100 cm (39,5").

# Z-MOTION Digital Stand

Z-MOTION DATA	[mm / kg]	[inch / lbs]
Minimum Ceiling-Height	2400	94"
Focus-to-Floor Distance	350 - 1600	13.8" - 63"
APPROXIMATE Assembled Weight (without x-ray tube, collimator, detector and H.V. cables)	350 kg	770 lbs
Compatible DR Flat Panel Detector Sizes	35 x 43cm or 43 x 43 cm	14" x 17" or 17" x 17"
MOVEMENTS	[mm]	[inch]
Vertical Travel of the Arm	1250	49.2"
SID Adjustment	1000 - 2000	39.5" - 79"
Minimum SID for Lateral Exposures	1000	39.5"
Imager (grid cabinet) rotation	-30° to +30°	
Z-arm rotation	-30° to +120°	
Rotation of the X-ray Tube	+/-120°	
POWER REQUIREMENTS		
Voltage	100-240V AC +/-10% - 50-60 Hz	



Specifications subject to change without notice

11/2009

Your Dealer:

## Control-X Medical Inc.

1755 Atlas Street, Columbus, OH 43228  
 Phone: 614-777-9729 Fax: 614-777-0395  
 E-mail: sales@cxmed.com  
 Web: www.cxmed.com

