



cxmed.com

ZOOMAX EQUINE X-RAY SYSTEMS



VETERINARY X-RAY SYSTEMS FOR TODAY AND TOMORROW



The ZooMax Equine Radiographic System is installed **in leading** US, German, Swiss and Scandinavian **veterinary university clinics**. The **single, dual or triple overhead telescope system** is **highly versatile** to provide the perfect diagnostic **imaging solution for large animal health centers**. It **enables every exposure**, from the hoof to the head of the patient.

ZooMax Equine ensures consistent, **high-quality digital images** and a heavy-duty system that is **safe, efficient and user-friendly**. The powerful high frequency generator – matched with corresponding x-ray tube(s) – provides best results even in cases of difficult lung or abdominal examinations involving high tissue densities.

With **auto-tracking*** the receptor aligns seamlessly with the tube on the vertical axis. All further **positioning** movements are **effortless** and **quiet** thanks to electromagnetic brakes, which control all longitudinal, transversal and vertical movements of the system.

ZooMax Equine is available with **best-in-class features** such as a **minimal (10cm) focus center distance to the floor**; a convenient **flip-up console** to manage low exposures; **all brake release safety feature**; and a **rotating extension** for the free telescope (in the triple telescope configuration) **enabling special projections**.

* Auto-tracking is available in the dual or triple telescope configurations.

THE INNOVATIVE ZOOMAX EQUINE FEATURES
**A HEAVY-DUTY, HIGH-POWER SINGLE, DUAL OR TRIPLE OVERHEAD
TELESCOPE (AUTO-TRACKING) RADIOGRAPHIC SYSTEM**

KEY FEATURES

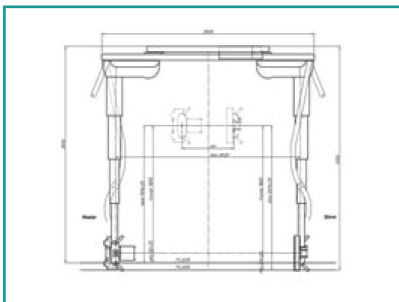
ZooMax Equine offers – in its standard, dual overhead configuration – an X-ray tube and receptor telescope tandem including:

- **Motorized vertical movement** of the slave (**receptor**) telescope
- **Auto-tracking** of the slave (**receptor**) telescope with the manual vertical movements of the master (tube) telescope
- **Lateral motorization** of the slave (**receptor**) telescope
- **Longitudinal motorization** of the master (**x-ray tube**) telescope (Optional)
- Both telescopes have controls with brake releases for all linear movements and for rotational movements around the horizontal and vertical axes
- Push-button for collimator light-field on the control console
- SID display of vertical and horizontal exposures as well as of tube rotation angles
- **High-power generator and matching X-ray tube**

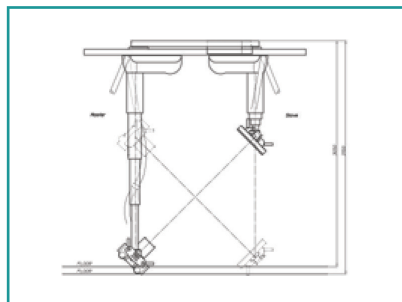
DIMENSIONS

- Longitudinal rail length: 440 cm (Optionally extendable)
- Transversal bridge length: 380 cm
- Tube and receptor vertical travel: 180 cm (Option 195 cm)
- Transversal tube arm travel: 32 cm
- Receptor holder for cassette-size detectors, and fixed or removable grid

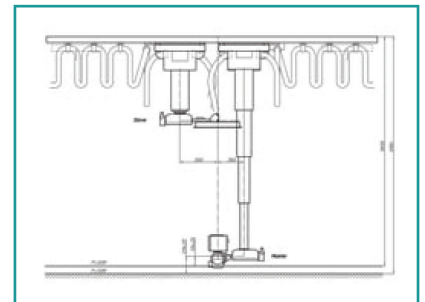
VERSATILITY OF EXAMINATIONS - DIMENSIONAL DRAWINGS



► Extended vertical travel allows examinations in full range



► Axial shots from any angulation



► Ventro-dorsalis projection



THREE-TELESCOPE CONFIGURATION

The ZooMax Equine System is also available in a three-telescope configuration consisting of a master-slave telescope pair and a „free“ X-ray tube telescope, which is available for lower extremity, hoof exposures.

SINGLE TELESCOPE CONFIGURATION

In practices where space is limited the ZooMax Equine system can also be configured as a single overhead telescope system.

CERTIFICATIONS

Control-X Medical veterinary diagnostic products are CE marked.



Please contact us at sales@cxmed.com
or at +36 1 381 0301.

Authorized reseller: